

4

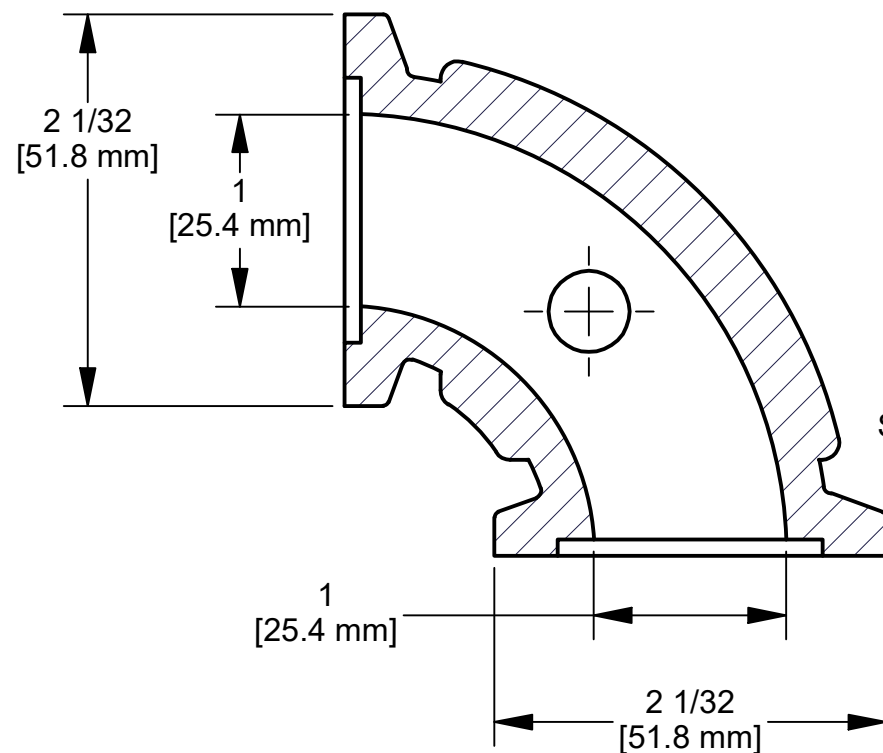
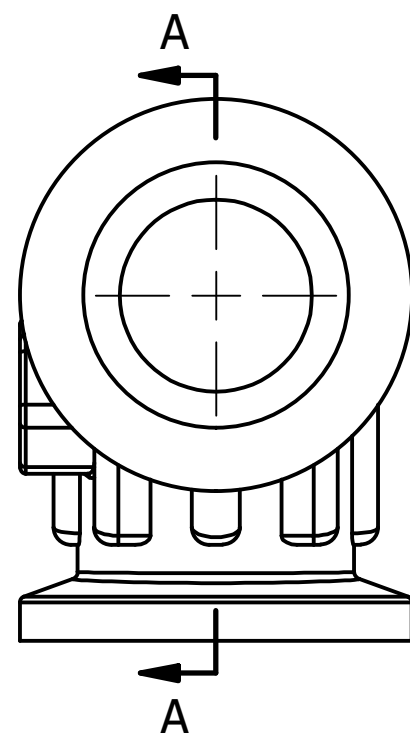
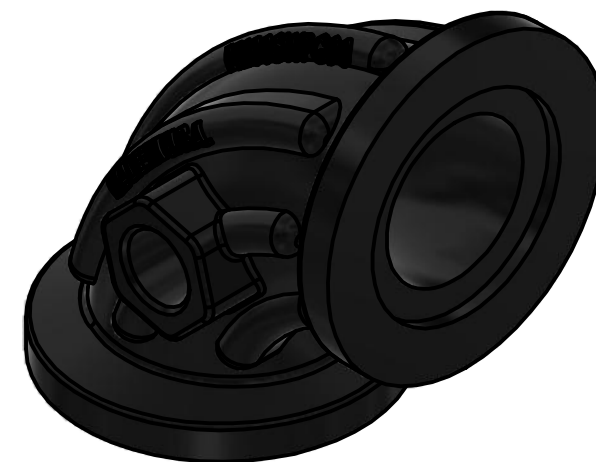
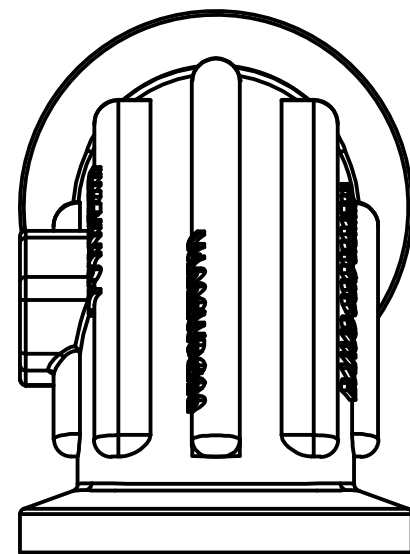
3

2

1

B

B



SECTION A-A  
SCALE 1 : 1

1/4"-18 NPT THD

MADE IN U.S.A.  
M100SWPG90

1 13/16  
[45.7 mm]

1 13/16  
[45.7 mm]

2 1/32  
[51.8 mm]

1  
[25.4 mm]

1  
[25.4 mm]

2 1/32  
[51.8 mm]



**BANJO CORPORATION**

150 BANJO DRIVE, CRAWFORDSVILLE, IN 47933  
WEB SITE: WWW.BANJOCORP.COM  
E-MAIL: BANJOSALES@IDEXCORP.COM

DESCRIPTION  
1" X 1" MANIFOLD FLANGE, 90° SWEEP W/  
1/4" GAGE PORT

PART NUMBER  
M100SWPG90

THIS DRAWING AND ALL INFORMATION CONTAINED THEREON ARE THE EXCLUSIVE PROPERTY OF BANJO CORPORATION.

UNLESS SPECIFICALLY NOTED, THIS DRAWING AND ITEMS SHOWN ON THIS DRAWING ARE SUBJECT TO CHANGE AT ANY TIME.

4

3

2

1

A

A

4